



# Installation regulations

Pure induct  
English



*Air for Life*



# Installation regulations

Pure induct



Store near the appliance

This appliance may be used by children as of 8 years of age, persons with reduced physical or mental capacities, and persons with limited knowledge and experience if they are supervised or have received instructions on how to use the appliance safely and are aware of the possible dangers.

Children younger than 3 years of age must be kept away from the appliance, unless they are under constant supervision.

Children between the ages of 3 and 8 may only switch the appliance on or off, but only if supervised or if they have received clear instructions on the safe use of the appliance and understand the possible dangers, on the condition that the appliance has been placed and installed in the normal position for use. Children between the ages of 3 and 8 may not insert the plug into the socket, nor clean or make changes to the settings of the appliance, nor carry out any maintenance on the appliance that would normally be carried out by the user. Children may not play with the appliance.

**If you need a new power cable, always order the replacement from Brink Climate Systems B.V. To prevent dangerous situations, a damaged mains connection must only be replaced by a qualified expert!**

Country: GB



# Contents

1 Delivery. . . . .	5
1.1 Delivery size. . . . .	5
2 Version. . . . .	6
2.1 Technical information . . . . .	6
2.2 Dimensions and connections. . . . .	6
2.3 Exploded view of appliance. . . . .	7
3 Operation. . . . .	8
3.1 Description. . . . .	8
4 Installation. . . . .	9
4.1 Installation general. . . . .	9
4.2 Placing the appliance. . . . .	10
5 Starting appliance. . . . .	11
5.1 Switching appliance on and off. . . . .	11
6 Maintenance. . . . .	12
6.1 Cleaning filter. . . . .	12
7 Service. . . . .	13
7.1 Spare parts. . . . .	13
8 Conformity declaration. . . . .	14
9 TUV Report TR-KKL-2020-053-S1. . . . .	15
10 Recycling. . . . .	16

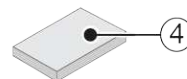
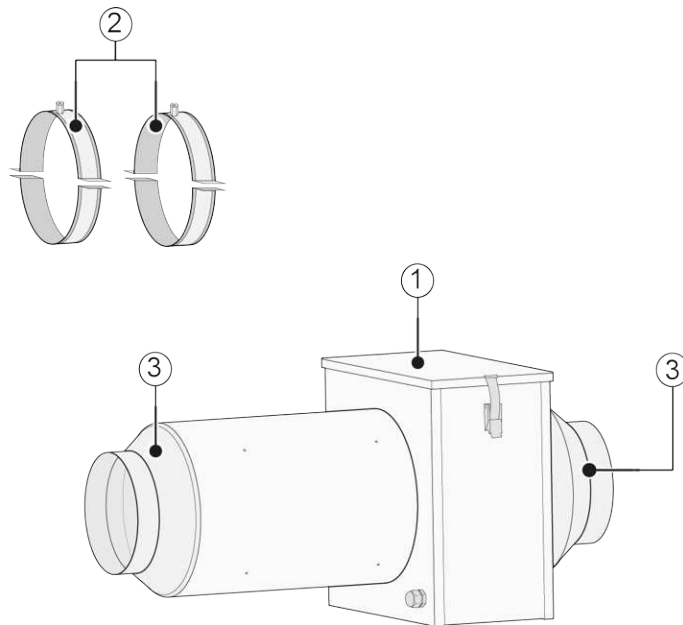
# 1 Delivery

## 1.1 Delivery size

Before installation of the Pure induct appliance is started, check that it has been supplied in complete and undamaged condition.

*The delivery size of the appliance type Pure induct consists of the following components:*

1. Air purification appliance type Pure induct
2. 2x suspension bracket
3. 2x Reducer 250 - 180 mm
4. Documentation set

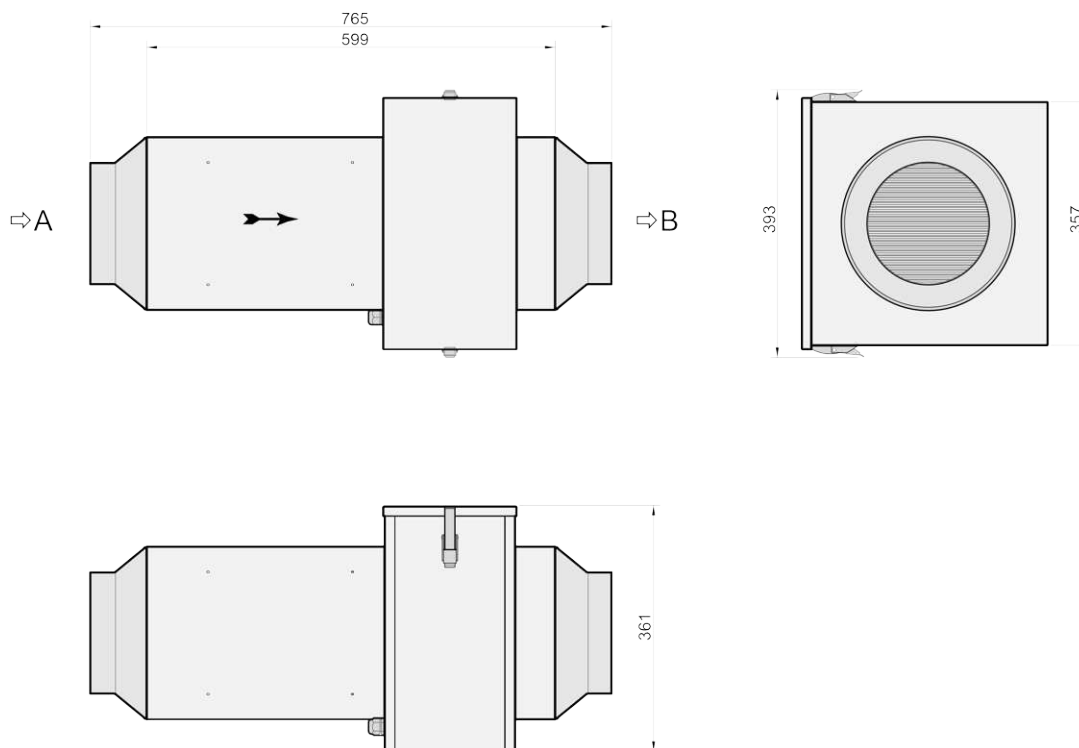


# 2 Version

## 2.1 Technical information

Pure induct	
Power input [V/Hz]	110 - 240 VAC/ 50-60 Hz
Dimensions (w x h x d) [mm]	765 x 361 x 393
Duct diameter [mm]	180
Weight [kg]	7,1
Protection degree	IP20
Retention efficiency of particle fraction 0,3 - 7,0 µm with test dust A2 fine	99,94%
Retention efficiency of mould spores with conditioned house dust ≤ 100 µm	97%
Retention efficiency of bacteria with conditioned house dust ≤ 100 µm	98%
Rated power [W]	14
Recommended air flow [m³/h]	< 600
Materials	Galvanised steel
Colour	White
Operation conditions	Indoors in a ventilated area under temperature conditions of 0 to 50 °C with a relative humidity of 0 to 90%.

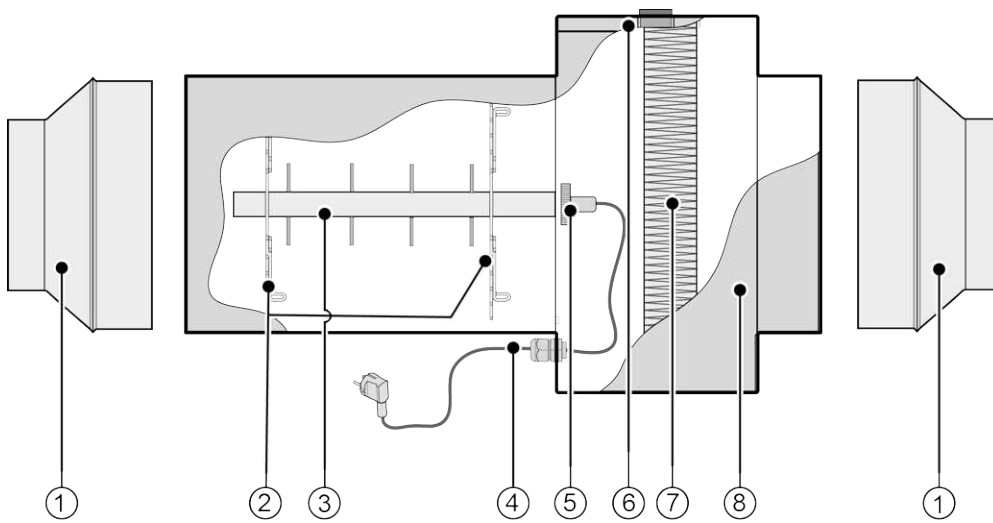
## 2.2 Dimensions and connections



A = Airflow from HRV appliance

B = Airflow to home

## 2.3 Exploded view of appliance



- 1 = Reducer 250 - 180 mm [2x]
- 2 = Protection grid [2x]
- 3 = Ion bar air purification
- 4 = Mains plug and cable 230V
- 5 = Connector (Twist Lock) to ionbar
- 6 = Detachable filter lid
- 7 = Filter
- 8 = Pure induct appliance

# 3 Operation

## 3.1 Description

### Introduction

The Pure induct is an advanced air purification appliance. With this unique technology even the smallest impurities can be filtered from the air, such as: organic materials like viruses, bacteria, prions, spores, and animal substances and inorganic particles like soot, originating from traffic and wood smoke. Fine particles can cause illness. Especially ultrafine dust can penetrate the lungs to get into the bloodstream. Brink uses collectors which prevent microbial growth.

### Intended use

The Pure induct is designed to purify the air inside your existing air ventilation system. It removes harmful particles such as particulate matter, pollen and microbes from the air in your ventilation ducts even before it reaches your room and eventually, your lungs. Ventilation is an indispensable component of healthy indoor air; it is the only conventional method to decrease the carbon dioxide concentration caused by breathing and combustion processes. By using the Pure induct you can profit from all ventilation benefits while not having to worry about introducing harmful particles from traffic and industry into your indoor air.

The Pure induct fits into any HVAC system, after the heat recovery unit. Once the appliance is installed and turned on, it will purify the air in your ducts. The low pressure drop of the Pure induct system makes it possible for your HVAC system to operate at a low speed. Due to the high filter efficiency of the Pure induct system, your HVAC system is protected against the accumulation of dust and fungi, which also improves your indoor air quality.

To optimize the operation of your Pure induct, make sure your Pure induct system is suitable for the building size and capacity of your HVAC system.

### Air Cleaning Results

Brink and distributors make no claim as to the specific air cleaning results that are achieved under the user's individual operating conditions. The air quality improvements that can be realized with the Pure induct in indoor environments depends to a significant degree on circumstantial factors, which are out of the control of Brink or distributors.

Important factors which will influence the total effectiveness and performance of the air cleaner include:

- Type of air pollutants present
- Rate of pollution
- Pollutant concentration
- Size of the indoor environment (room size)
- Flowrate of the HVAC system
- Location and positioning of the air cleaner.

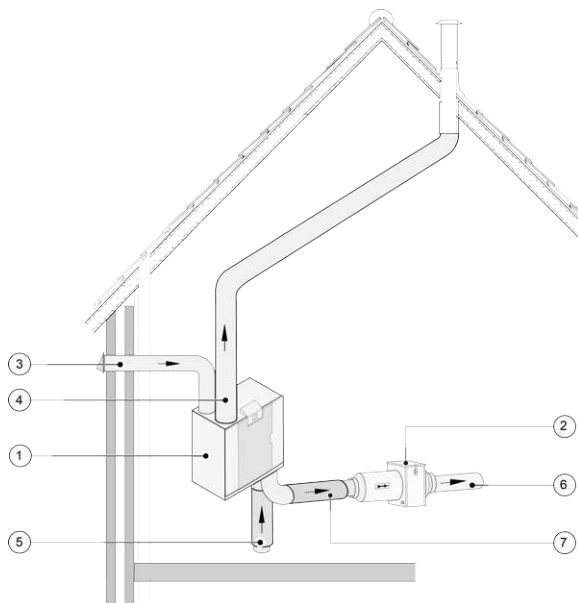


# 4 Installation

## 4.1 Installation general

### Installation requirements

- To ensure the safe functioning of the appliance, the appliance must be installed and connected by qualified personnel.
- The power cord should only be connected to grounded power outlets with ~110- 240 VAC, 50-60 Hz power rating to reduce the risk of electric shock. If there is no grounded outlet installed, contact qualified personnel to install the proper outlet. Do not alter the plug in any way. Do not connect voltages other than the labelled factory requirement.
- If the power cord is damaged, it must be replaced by the manufacturer, its service agent or similarly qualified persons in order to avoid a hazard.
- Never install the appliance in a place where flammable gases or liquids, or large amounts of dust may combine with air to form an explosive mixture.
- The Pure induct is only suited for indoor use in ventilated spaces under temperature conditions of 0 to 50 °C with a relative humidity of 0 to 90%.
- The Pure induct must be connected to the ventilation system and must always be mounted between the HRV appliance and dwelling. If the existing pipes of your ventilation system have different measurements, use supplied adaptors.  
The direction of the air flow in the ventilation system to the Pure induct should occur as direction indicator (arrow) on the appliance.
- Do not expose the system to water, other liquids or condensation.
- Do not pierce the product in any way.
- Do not remove the protection grid of the front and/or back of the appliance.
- **The Pure induct must be connected to the ventilation system and must always be mounted between the HRV appliance and dwelling. If the existing pipes of your ventilation system have different measurements, use supplied adaptors.**



- 1 = HRV appliance
- 2 = Pure induct
- 3 = From outside
- 4 = To outside
- 5 = From dwelling
- 6 = To dwelling
- 7 = Duct between HRV and Pure induct

## 4.2 Placing the appliance

### Installing the Pure induct

Follow the steps as described below to install the Pure induct.

Applicable for all situations: Do not remove the inlet guard and do not connect the Pure induct to a power outlet before finishing the installation.

#### 1 Select the location of the Pure induct.

- Make sure there is enough space to install the Pure induct.
- Make sure the Pure induct can easily be reached after installation to make maintenance possible.
- Make sure the Pure induct is protected from possible water leakage and condensation.
- When using supplied suspension brackets for the Pure induct, make sure the wall or ceiling is strong enough to install the Pure induct.
- Make sure the Pure induct can be connected to a grounded power outlet (~110-240 VAC, 50-60 Hz).

#### 2 Install the Pure induct in the ducts

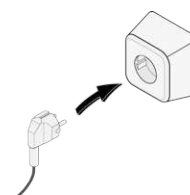
- Allow for sufficient space to install the Pure induct.
- If necessary, attach the Pure induct to the wall or ceiling using include mounting brackets Ø250 mm.
- Make sure the Pure induct is installed in the correct direction. The air should flow in the same direction as the air flow direction indicator on the Pure induct.
- Make sure the connection of the Pure induct to the ventilation duct is leak-proof.

#### 3 If necessary, rotate the Pure induct

- Walls or other obstacles might prevent the opening of the Pure induct lid. In that case, it is possible to rotate the Pure induct.
- Disconnect the power cord.
- Loosen the two bolts on the flange clamp, do not open it completely.
- Rotate the Pure induct to the desired position.
- Retighten the bolts on the flange clamp.

#### 4 Connect the Pure induct to a grounded power outlet.

The Pure induct can be connected to an easily accessible, earthed wall socket with the plug that is mounted to the appliance. The electric installation must comply with the requirements of your power company.



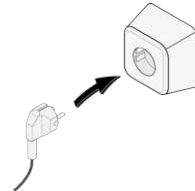
# 5 Starting appliance

## 5.1 Switching appliance on and off

### Switching on:

- **Switching on the mains power:**

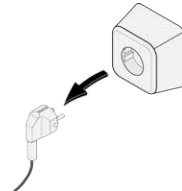
1. Connect the 230 V power plug to the electric system.
2. The Pure induct will then operate immediately .



### Switching off:

- **Switching off mains power:**

1. Pull the 230 V power plug from the electric system; the Pure induct is now free of voltage.




### **Warning!**

When working on the Pure induct, always first take the voltage from the appliance by pulling the power plug.

# 6 Maintenance

## 6.1 Cleaning filter

The maintenance of the Pure induct is limited to the periodic cleaning or replacement of the filter. The filter of the Pure induct only has to be cleaned if this is indicated on the display of the HRV appliance (the filter symbol is shown here)  or, if a multiple switch with filter indication has been installed and the red LED of the switch is on.

The filter of the Pure induct should be replaced each year.

After the filter has been cleaned 3 times, it must be replaced by the 4th time.

The Pure induct must never be used without filter.

**Cleaning or replacement of the filter from the Pure induct should always be done together with cleaning or replacement of the filters of the HRV appliance!**



Assembly clean or new filter must be done in the reverse way.

# 7 Service

## 7.1 Spare parts

When ordering parts, in addition to the article code number, please state type Pure induct, the serial number, the year of production and the name of the part:

---

**N.B.:** Appliance type, serial number and year of production are stated on the identification plate of the Pure induct

---

Example	
Appliance type	Pure induct
Serial number	35100020021201
Year of production	2020
Part	Filter
Article code	351003
Quantity	1

# 8 Conformity declaration

## Conformity declaration

**Manufacturer:** Brink Climate Systems B.V.  
**Address:** Postbus 11  
NL-7950 AA, Staphorst, The Netherlands  
**Product:** **Type:**  
Pure induct

The product described above complies with the following directives:

- ◆ 2014/35/EU (low voltage directive)
- ◆ 2014/30/EU (EMC directive)
- ◆ RoHS 2011/65/EU (substances directive)

The product bears the CE label:



Staphorst,02-03-2020

A handwritten signature in blue ink, appearing to read 'M. Schouten', is written over a horizontal line.

M. Schouten  
Technical Director

# 9 TÜV Report TR-KKL-2020-053-S1



## INDOOR AIR HYGIENE GROUP

Ref.-No.: KKL/1041/20 Essen, 28. May 2020  
Order-No.: 81 18 15 03 68 GrV/TRe

Report No.: TR-KKL-2020-053-S1

## Cleaning Performance of a RVU Filter Unit

TÜV NORD Systems  
GmbH & Co. KG  
ISGBW Testing  
Am TÜV 1  
45307 Essen, Germany  
+49 201 825 - 3204  
GBTTesting@tuev-nord.de  
www.tuev-nord.de  
TÜV®

### Scope and Object of Examination

A Filter Unit "Pure induct" for Residential Ventilation Units (RVU) by Brink Climate Systems BV, 7950 AA Staphorst (Netherlands), with a nominal air flow rate of 300 m<sup>3</sup>/h is examined with regard to cleaning performance of respirable fine dust, mould spores and bacteria.

The examinations were performed by the Test Centre for Air Hygiene, DMT GmbH & Co. KG, Essen, in March and April 2020. The RVU Filter Unit is equipped with an additional ionisation unit.

The retention efficiencies of the RVU-Filter Unit "Pure induct" are determined with particle counters and germ collectors.

### Measurement of retention efficiencies

Parameter	Results
Retention efficiency of particle fraction 0,3 – 7,0 µm with test dust A2 fine	99,94 %
Retention efficiency of mould spores with conditioned house dust ≤ 100 µm	97 %
Retention efficiency of bacteria with conditioned house dust ≤ 100 µm	98 %

The detailed information on the measurement procedure, boundary conditions and results of the examinations are contained in the test report APS 2 – 00 032 20 dated 24 April 2020.

Essen, 28. May 2020



Digital unterschrieben  
von Gräff Vera  
Datum: 2020.05.28  
16:29:49 +02'00'

Dipl.-Ing. Vera Gräff  
Project manager Indoor Air Hygiene Group

The test results refer exclusively to the test objects.  
It is not permitted to publish extracts from the report  
without the written permission of TÜV NORD Systems GmbH & Co. KG.

Page 1 of 1

# 10 Recycling

## Recycling

Sustainable materials are used in the manufacture of this appliance. The packaging should be disposed of in a responsible manner and in accordance with governmental regulations.









Brink Climate Systems BV  
P.O. Box 11 NL-7950AA Staphorst  
T +31 (0) 522 46 99 44

E [info@brinkclimatesystems.com](mailto:info@brinkclimatesystems.com)  
[www.brinkclimatesystems.com](http://www.brinkclimatesystems.com)  
[www.brinkairforlife.com](http://www.brinkairforlife.com)